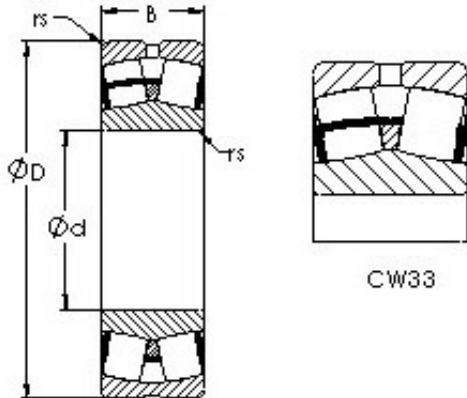




BEARING Driveshaft USA CORP.



AST 24132CAW33 spherical roller bearings

Bearing No. 24132CAW33

Size	160x270x109 mm
Bore Diameter	160 mm
Outer Diameter	270 mm
Width	109 mm
Bearing Type	straight bore, lube groove and holes
Bore Dia (d)	160.0000
Outer Dia (D)	270.0000
Width (B)	109.0000
Radius (min) (rs)	2.100
Dynamic Load Rating (Cr)	1,250,000
Static Load Rating (Cor)	2,110,000
Max Speed (Grease) (X000 RPM)	1
Max Speed (Oil) (X000 RPM)	1
Weight (g)	25,050.00
CAD Notice	Please contact AST Bearings to request a CAD Model for this part number.
Material	52100 Chrome steel, or equivalent

24132CAW33 Bearing 2D drawings and 3D CAD models