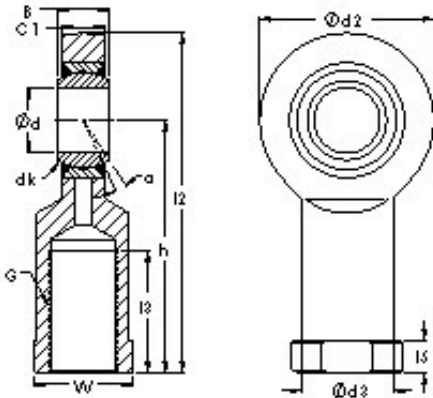




BEARING Driveshaft USA CORP.



AST SIZJ11 plain bearings

Bearing No. SIZJ11

Bore Diameter	11,1125 mm
Width	14,2748 mm
Bearing Type - steel-on-steel	steelonsteel
Bore Dia (d)	0.4375
Width (B)	0.5620
Radius (min) (rs)	0.024
Dynamic Load Rating (Cr)	3,147
Static Load Rating (Cor)	4,721
Spherical Diameter (dk or Dk)	0.812
Mis-alignment Angle (a deg.)	10.5
Thread Length (l1)	0.875
Bore Center to End of Rod (h)	1.812
Rod Overall Length (l2)	2.375
Rod End Thickness (C1)	0.406
Thread Size (G) - 7/16-20 UNF	7/1620 UNF
Rod End Width (d2)	1.125
Body Dia. (d3)	0.610
Body End Dia. (d4)	0.750
Body End Width (l5)	0.250
Body End Flats (W)	0.625
Weight (g)	82.00
Material - Body - Carbon steel-zinc plated, Ball -	Hardened chrome steelchrome plated

SIZJ11 Bearing 2D drawings and 3D CAD models



BEARING Driveshaft USA CORP.

Hardened chrome steel- chrome plated	
---	--