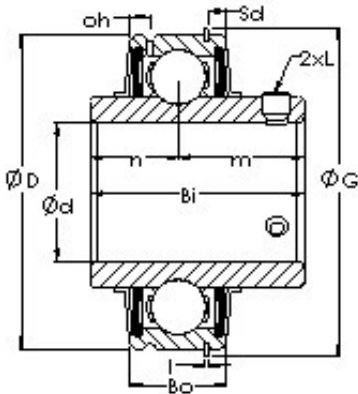




BEARING Driveshaft USA CORP.



ER206 Bearing 2D drawings and 3D CAD models

AST ER206 bearing units

Bearing No. ER206

Bore Diameter	30 mm
Outer Diameter	62 mm
Bearing Type	Metric Bore Diameter
Bore Dia (d)	30.0000
Outer Dia (D)	62.0000
Outer Width (Bo)	22.0000
Inner Width (Bi)	38.1000
Dynamic Load Rating (Cr)	19,411
Static Load Rating (Cor)	11,276
Bearing Inner Race Width - Short Side (n)	15.9000
Bearing Inner Race Width - Extended Side (m)	22.2000
Bearing Collar Set Screw (L)	M6 X 1.0
Snap Ring Dia. (G)	67.5000
Snap Ring Location (Sd)	3.2000
Snap Ring Thickness (l)	1.7000
Relubrication Hole Location (oh)	5.5000
Shaft Dia., Nominal (d)	30.0000
Weight (g)	390.09