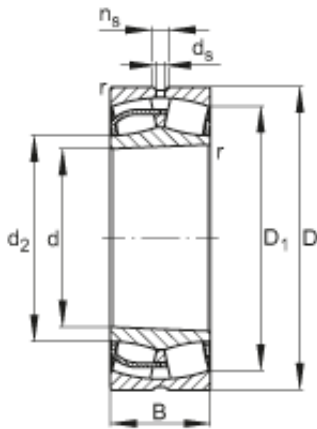




BEARING Driveshaft USA CORP.



260 mm x 400 mm x 104 mm FAG 23052-E1-K
spherical roller bearings

Bearing No. 23052-E1-K

23052-E1-K Bearing 2D drawings and 3D CAD models

Size	260x400x104 mm
Bore Diameter	260 mm
Outer Diameter	400 mm
Width	104 mm
d	260 mm
D	400 mm
B	104 mm
D ₁	358,7 mm
D _{a max}	385,4 mm
d ₂	295,5 mm
d _{a min}	274,6 mm
d _s	9,5 mm
n _s	17,7 mm
r _{a max}	3 mm
r _{min}	4 mm
m	45,9 kg / Weight
C _r	1670000 N / Dynamic load rating (radial)
e	0,23
Y ₁	2,9
Y ₂	4,31
C _{0r}	2600000 N / Static load rating (radial)
Y ₀	2,83



BEARING Driveshaft USA CORP.

n_G	1850 1/min / Limiting speed
n_B	1200 1/min
C_{ur}	233000 N / Fatigue limit load, radial