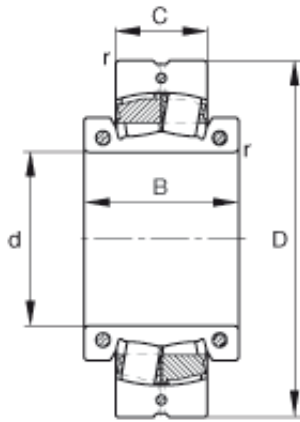




BEARING Driveshaft USA CORP.



11 inch x 460 mm x 176 mm FAG 230S.1100
spherical roller bearings

Bearing No. 230S.1100

230S.1100 Bearing 2D drawings and 3D CAD models

Size	279.4x460x118 mm
Bore Diameter	279,4 mm
Outer Diameter	460 mm
Width	118 mm
d	279,4 mm
d	11 inch
D	460 mm
C	118 mm
B	176 mm
r_{\min}	4 mm
m	91,7 kg / Weight
C_r	1600000 N / Dynamic load rating (radial)
e	0,22
Y_1	3,04
Y_2	4,53
C_{0r}	2800000 N / Static load rating (radial)
Y_0	2,97
n_G	590 1/min / Limiting speed
C_{ur}	228000 N / Fatigue limit load, radial
$F_{a \max}$	32000 N / Permissible axial load, for inner ring without axial abutment
M_i	120 Nm / Tightening torque



BEARING Driveshaft USA CORP.

	per clamping screw
M_a	69 Nm / Tightening torque per clamping screw
	23060K / Designation, spherical roller bearing, unsplit
	H3060.1100
SNP3060.1100	Designation, adapter sleeve, US design