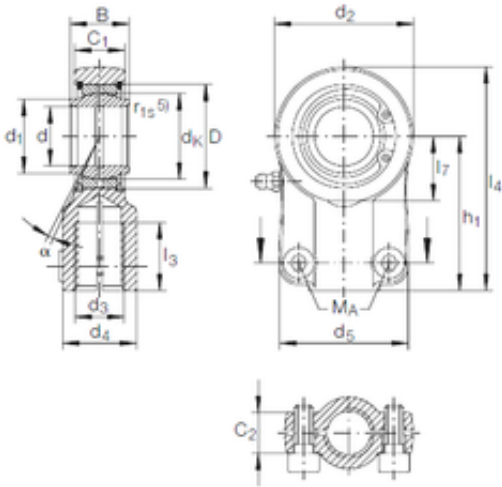




BEARING Driveshaft USA CORP.



25 mm x 42 mm x 25 mm INA GIHN-K 25 LO plain bearings

Bearing No. GIHN-K 25 LO

GIHN-K 25 LO Bearing 2D drawings and 3D CAD models

Size	25x42x25 mm
Bore Diameter	25 mm
Outer Diameter	42 mm
Width	25 mm
d	25 mm
D	42 mm
B	25 mm
Screw	M8X20
d1	30,5 mm
d2	58 mm
d4	30 mm
dk	35,5 mm
h1	65 mm
l3 min.	29 mm
l4 max.	94 mm
l7 min.	27 mm
C1	21 mm
Thread (G)	M20X1,5
Angle	4 °
d5	54 r/min
C2	17 mm
Weight	0,66 Kg
Basic dynamic load rating (C)	48 kN