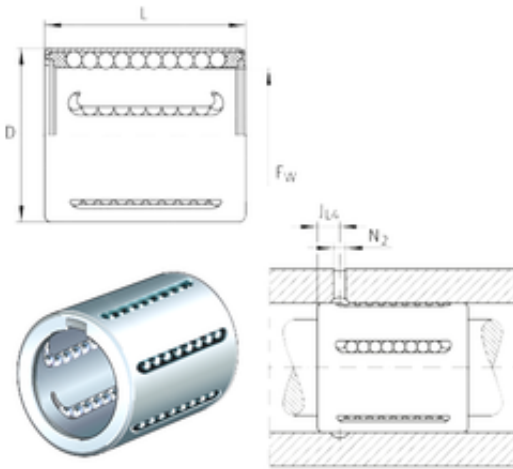




BEARING Driveshaft USA CORP.

INA KH20 linear bearings

Bearing No. KH20



KH20 Bearing 2D drawings and 3D CAD models

Bore Diameter	20 mm
Outer Diameter	28 mm
Fw	20 mm
D	28 mm
N2	2,5 mm
L	30 mm
JL4	7 mm
Weight	0,0325 Kg
Basic dynamic load rating (C)	1,17 kN