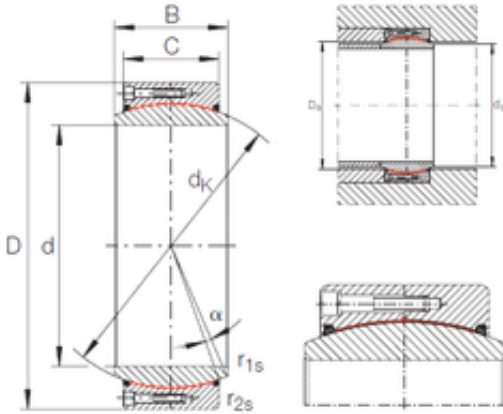




BEARING Driveshaft USA CORP.

710 mm x 950 mm x 325 mm INA GE 710 DW-2RS2 plain bearings

Bearing No. GE 710 DW-2RS2



GE 710 DW-2RS2 Bearing 2D drawings and 3D CAD models

Size	710x950x325 mm
Bore Diameter	710 mm
Outer Diameter	950 mm
Width	325 mm
d	710 mm
D	950 mm
B	325 mm
C	275 mm
dk	830 mm
r1 min.	3 mm
r2 min.	6 mm
da max	763,7 mm
Da min	789 mm
Angle	3,7 °
Weight	698 Kg
Basic dynamic load rating (C)	60,85 kN