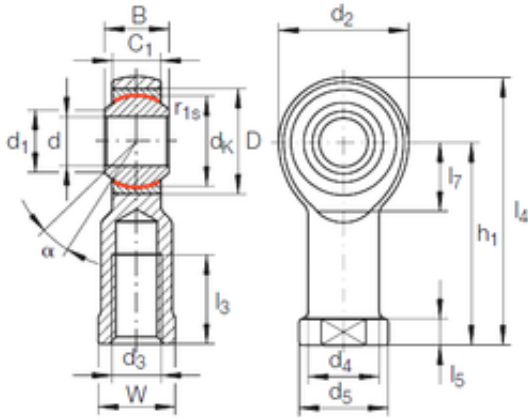




BEARING Driveshaft USA CORP.

10 mm x 22 mm x 14 mm INA GIPL 10 PW
plain bearings



GIPL 10 PW Bearing 2D drawings and 3D CAD models

Bearing No. GIPL 10 PW

Size	10x22x14 mm
Bore Diameter	10 mm
Outer Diameter	22 mm
Width	14 mm
d	10 mm
D	22 mm
B	14 mm
d1	12,9 mm
d2	28 mm
d4	15 mm
dk	19,05 mm
h1	43 mm
l3 min.	20 mm
l4 max.	57 mm
l5	6,5 mm
l7 min.	15 mm
r1 min.	0,3 mm
C1	10,5 mm
W	17 mm
Thread (G)	M10X1,25
Angle	13 °
d5	19 r/min
Weight	0,077 Kg
Basic dynamic load rating (C)	18 kN