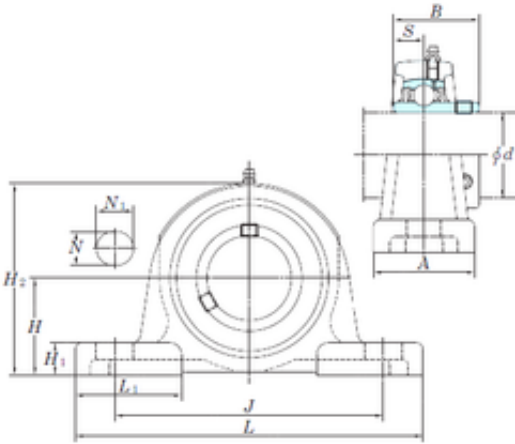




BEARING Driveshaft USA CORP.

KOYO UCPX10-32 bearing units

Bearing No. UCPX10-32



UCPX10-32 Bearing 2D drawings and 3D CAD models

Bore Diameter	50,8 mm
Width	55,6 mm
d	50,8 mm
A	73 mm
B	55,6 mm
H	63,5 mm
H1	22 mm
H2	126 mm
J	171 mm
L	241 mm
L1	76 mm
N	20 mm
N1	36 mm
S	22,2 mm
Bolt (G)	M16
Weight	4,6 Kg
Basic dynamic load rating (C)	43,4 kN
Basic static load rating (C0)	29,4 kN