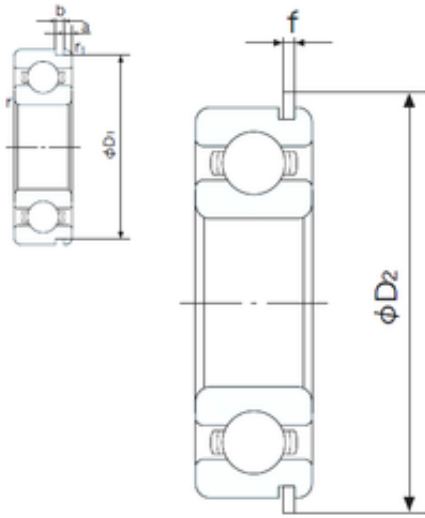




BEARING Driveshaft USA CORP.



6009NR Bearing 2D drawings and 3D CAD models

45 mm x 75 mm x 16 mm NACHI 6009NR
deep groove ball bearings

Bearing No. 6009NR

Size	45x75x16 mm
Bore Diameter	45 mm
Outer Diameter	75 mm
Width	16 mm
d	45 mm
D	75 mm
B	16 mm
C	16 mm
a	2.49 mm
b	1.9 mm
f	1.7 mm
r min.	1 mm
r1 min.	0.5 mm
D1	71.83 mm
D2	81.6 mm
Weight	0.239 Kg
Basic dynamic load rating (C)	20,9 kN
Basic static load rating (C0)	15,2 kN
(Grease) Lubrication Speed	8800 r/min
Category	Single Row Ball Bearings
Inventory	0.0
Manufacturer Name	NACHI
Minimum Buy Quantity	N/A
Weight / Kilogram	0.245
Product Group	B00308



BEARING Driveshaft USA CORP.

Enclosure	Open
Precision Class	ABEC 1 ISO P0
Maximum Capacity / Filling Slot	No
Rolling Element	Ball Bearing
Snap Ring	Yes
Internal Special Features	No
Cage Material	Steel
Internal Clearance	C0-Medium
Inch - Metric	Metric
Long Description	45MM Bore; 75MM Outside Diameter; 16MM Outer Race Width; Open; Ball Bearing; ABEC 1 ISO P0; No Filling Slot; Yes Snap Ring; No Internal Special Features; C0-Medium Internal Clearance; Steel Cage
Other Features	Deep Groove With Snap Ring
Category	Single Row Ball Bearing
UNSPSC	31171504
Harmonized Tariff Code	8482.10.50.68
Noun	Bearing
Keyword String	Ball
Manufacturer URL	http://www.nachiamerica.com
Bore	1.772 Inch 45 Millimeter
Outside Diameter	2.953 Inch 75 Millimeter
Inner Race Width	0 Inch 0 Millimeter
Outer Race Width	0.63 Inch 16 Millimeter
Bore Type	Cylindrical Bore
Configuration	Single Row
Bore Size	45 mm
Width	16 mm



BEARING Driveshaft USA CORP.

Fillet Radius/Chamfer	1 mm
r1	0.5 mm
Snap Ring Width	1.7 mm
Snap Ring Outside Diameter	81.6 mm
D1 (max)	71.8 mm
a (max)	2.5 mm
b (min)	1.9 mm
Dynamic Load Rating	20,900 N
Static Load Rating	15,200 N
Limiting Speed - Grease	9,200 rpm
Limiting Speed - Oil	11,000 rpm
Factor fo	15.3
Radial Clearance	0.006 to 0.023 mm
da (min)	50 mm
Da (max)	70 mm
Dx (min)	83 mm
ra (max)	1 mm
Cy (max)	3.8 mm