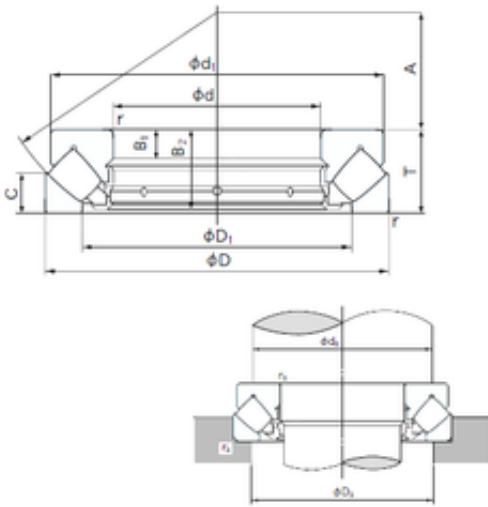




BEARING Driveshaft USA CORP.

240 mm x 440 mm x 43 mm NACHI 29448E
thrust roller bearings

Bearing No. 29448E



29448E Bearing 2D drawings and 3D CAD models

Size	240x440x122 mm
Bore Diameter	240 mm
Outer Diameter	440 mm
Width	122 mm
d	240 mm
D	440 mm
T	122 mm
d1	420 mm
r min.	6 mm
A	142 mm
B1	43 mm
B2	117 mm
C	59 mm
D1	326 mm
da min.	330 mm
Da max.	375 mm
ra max.	5 mm
Weight	83 Kg
Basic dynamic load rating (C)	2480 kN
Basic static load rating (C0)	9450 kN
Bore Type	Cylindrical Bore
Enclosure	Open
Configuration	Single Row
Bore Size	240 mm
Outside Diameter	440 mm



BEARING Driveshaft USA CORP.

Fillet Radius/Chamfer	6 mm
Width	122 mm
Dynamic Load Rating	2,480,000 N
Static Load Rating	9,450,000 N
Limiting Speed - Oil	720 rpm
B	43 mm
da (min)	330 mm
Da (max)	375 mm
ra (max)	5 mm