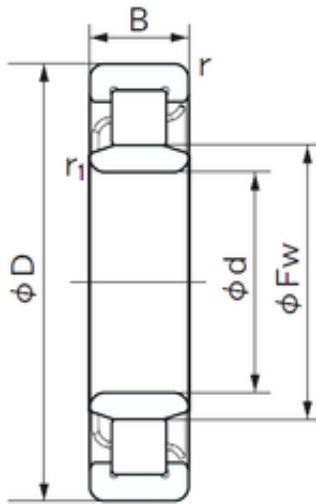




BEARING Driveshaft USA CORP.



170 mm x 360 mm x 72 mm NACHI NU 334
cylindrical roller bearings

Bearing No. NU 334

Size	170x360x72 mm
Bore Diameter	170 mm
Outer Diameter	360 mm
Width	72 mm
d	170 mm
Fw	220 mm
D	360 mm
B	72 mm
r min.	4 mm
r1 min.	4 mm
Weight	37.1 Kg
Basic dynamic load rating (C)	795 kN
Basic static load rating (C0)	1010 kN
(Grease) Lubrication Speed	1600 r/min

NU 334 Bearing 2D drawings and 3D CAD models