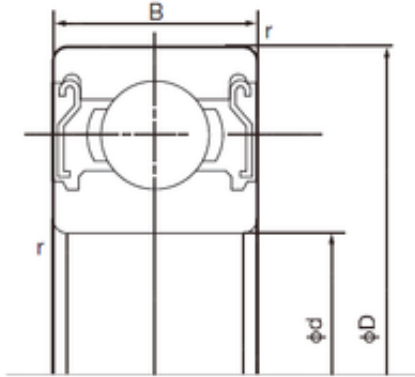




BEARING Driveshaft USA CORP.

100 mm x 180 mm x 34 mm NACHI 6220ZZ
deep groove ball bearings



Bearing No. 6220ZZ

6220ZZ Bearing 2D drawings and 3D CAD models

Size	100x180x34 mm
Bore Diameter	100 mm
Outer Diameter	180 mm
Width	34 mm
d	100 mm
D	180 mm
B	34 mm
C	34 mm
r min.	2.1 mm
da min.	112 mm
Da max.	168 mm
ra max.	2.0 mm
Weight	3.14 Kg
Basic dynamic load rating (C)	122 kN
Basic static load rating (C0)	93 kN
Category	Single Row Ball Bearings
Inventory	0.0
Manufacturer Name	NACHI
Minimum Buy Quantity	N/A
Weight / Kilogram	0
Product Group	B00308
Enclosure	2 Metal Shields
Precision Class	ABEC 1 ISO P0
Maximum Capacity / Filling Slot	No



BEARING Driveshaft USA CORP.

Rolling Element	Ball Bearing
Snap Ring	No
Internal Special Features	No
Cage Material	Steel
Internal Clearance	C0-Medium
Inch - Metric	Metric
Long Description	100MM Bore; 180MM Outside Diameter; 34MM Outer Race Width; 2 Metal Shields; Ball Bearing; ABEC 1 ISO P0; No Filling Slot; No Snap Ring; No Internal Special Features; C0-Medium Internal Clearance; St
Other Features	Deep Groove
Category	Single Row Ball Bearing
UNSPSC	31171504
Harmonized Tariff Code	8482.10.50.68
Noun	Bearing
Keyword String	Ball
Manufacturer URL	http://www.nachiamerica.com
Outer Race Width	1.339 Inch 34 Millimeter
Inner Race Width	0 Inch 0 Millimeter
Outside Diameter	7.087 Inch 180 Millimeter
Bore	3.937 Inch 100 Millimeter
Bore Type	Cylindrical Bore
Configuration	Single Row
Bore Size	100 mm
Width	34 mm
Fillet Radius/Chamfer	2.1 mm
Dynamic Load Rating	122,000 N
Static Load Rating	93,000 N
Limiting Speed - Grease	3,600 rpm



BEARING Driveshaft USA CORP.

Factor fo	14.4
Radial Clearance	0.012 to 0.036 mm
da (min)	112 mm
Da (max)	168 mm
ra (max)	2 mm